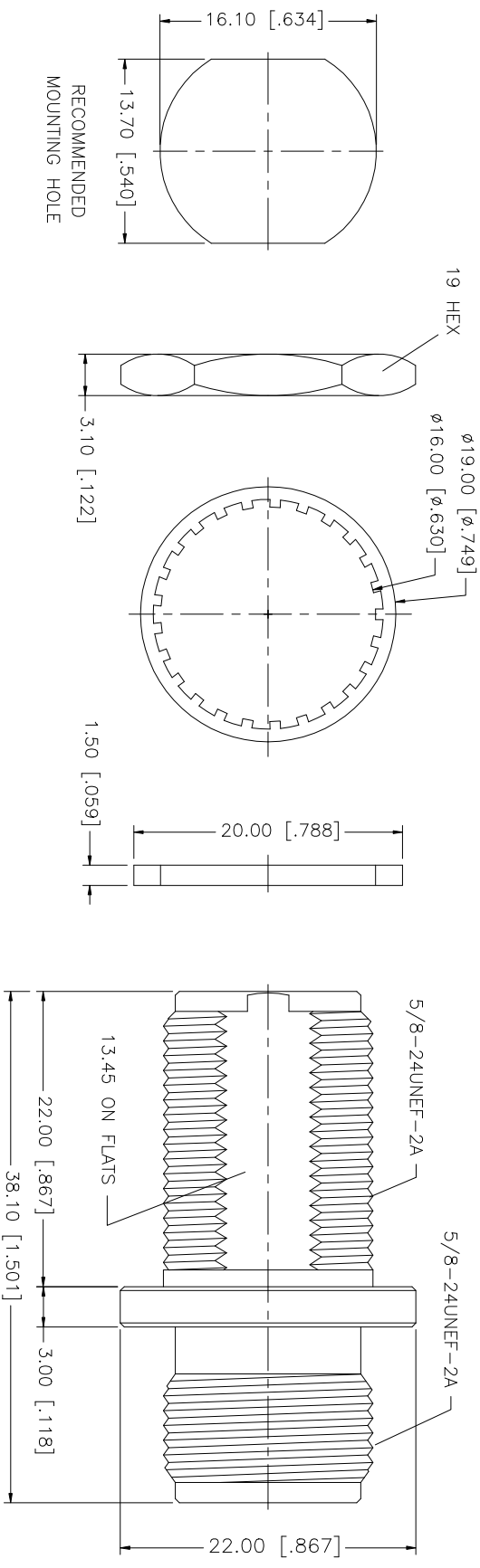


REV.	DATE	DESCRIPTION
NC	02/28/03	INITIAL RELEASE



NOTE:
1. MAX. PANEL THICKNESS = 6.5mm [.255"]

QTY	DESCRIPTION	MATERIAL	FINISH	QTY	DO NOT SCALE DRAWING	APPROVALS	DATE	PART DESCRIPTION
1	HOUSING/BODY	BRASS	NEXCOTE	1	1.180 ± 0.020"			Amphenol Connex PART DESCRIPTION N JACK TO JACK BULKHEAD ADAPTER PART NO. 172124
1	INSULATOR	TEFLON	NATURAL	1	.020 - .315 = ± 0.007"			
1	CONTACT PIN	PHOS. BRONZE	GOLD	1	.315 - 1.180 = ± 0.015"			
1	GASKET	SILICONE	RED	1	1.180 - 4.724 = ± 0.020"			
1	LOCK WASHER	BRASS	NEXCOTE	1	0.5 - 8mm ± 0.20mm			
1	HEX NUT	BRASS	NEXCOTE	1	8 - 30mm ± 0.40mm			
					30 - 120mm ± 0.50mm			
					UNLESS OTHERWISE SPECIFIED, DIMENSIONS ARE IN MILLIMETERS; DIMENSIONS IN [] ARE IN INCHES AND FOR CUSTOMER REFERENCE ONLY. TOLERANCES FOR MILLIMETERS ARE:			
					UNLESS OTHERWISE SPECIFIED, DIMENSIONS ARE IN MILLIMETERS; DIMENSIONS IN [] ARE IN INCHES AND FOR CUSTOMER REFERENCE ONLY. TOLERANCES FOR MILLIMETERS ARE:			
	DESCRIPTION	MATERIAL	FINISH	QTY	DO NOT SCALE DRAWING	CAD FILE		
						C:/172/172124.DWG		
						DWG. NO.		
						172124.DWG		
						REV.		
						NC		
						SIZE		
						A		
						SCALE		
						NA		