

Features

- ▶ Microprocessor Controlled
- ▶ 16 Form "C" Contacts
- ▶ 5A Relay Contacts
- ▶ Controlled by the ACB-728
- ▶ Drives LED Annunciator Displays

Description

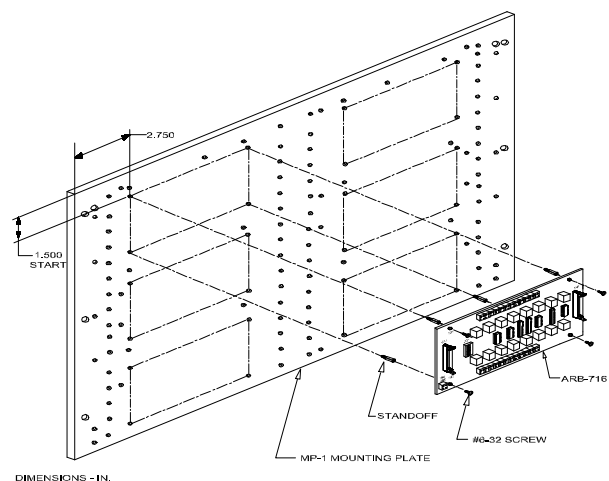
The ARB-716 Annunciator Relay Board provides 16 programmable relay outputs. Each relay contact is rated at 5A at 28VDC, 120VAC or 250VAC. Each output can be programmed to indicate the status of a device or programmed to turn on upon I/O logic within the LSN 2000 system. All outputs have a Form 'C' dry contact. The ARB-716 is controlled by the ACB-728 Annunciator Control Board.

Installation

The ARB-716 Annunciator Output Board occupies 1/2 module footprint and mounts to the MP-1 Mounting Plate. The ARB-716 can also be mounted in Kirkland annunciator enclosures.

Approvals and Listings

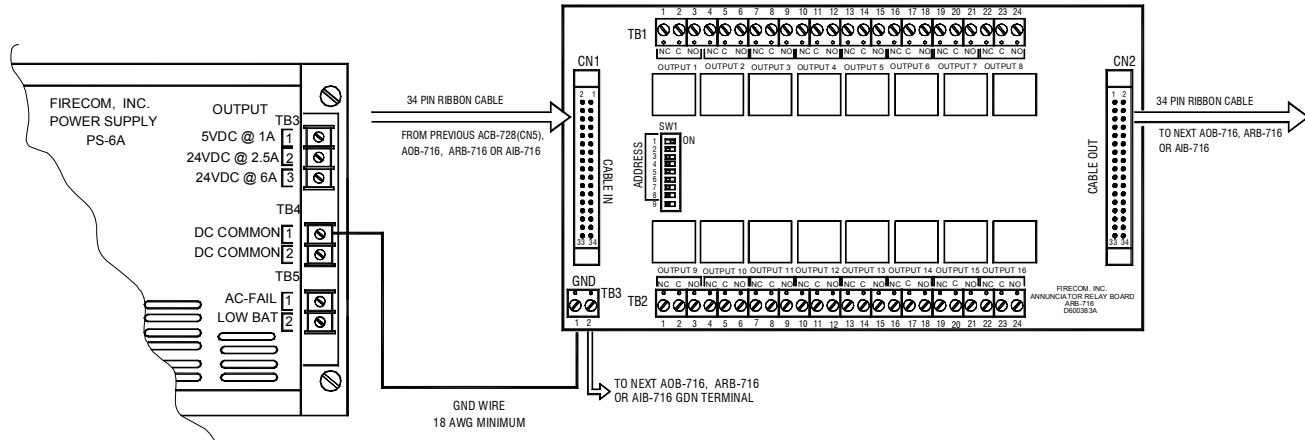
Underwriters Laboratories (File No. S2184)
 NYC MEA (MEA No. 32-95-E)



Engineering Specifications

The ARB-716 shall provide 16 Form 'C' Dry Contact outputs. Each contact shall be rated at 28VDC@5A, 120VAC@5A or 240VAC@5A. The ARB-716 shall be controlled by the ACB-728 Annunciator Control Board. Up to eight ARB-716 Annunciator Relay Boards shall be capable of communicating to an ACB-728. Each output shall be capable of being programmed to indicate the status of a device or activate upon any I/O logic within the LSN 2000 system.

Wiring Connection



Electrical Specifications

Operating Voltage	24VDC
Operating Current	2mA (plus LED current)
Operating Temperature	0°C to 49°C
Operating Relative Humidity Range	0% to 93% @ 32°C
Relay Turn On Current	15mA
Relay Contact Rating	5A@28VDC, 5A@120VDC, 5A@250VAC Res

Ordering Information

Model No.	Part No.	Description
ARB-716	72014	Annunciator Relay Board

It is our intention to keep the product information up to date and accurate. We cannot cover all specific applications or anticipate all requirements. All specifications are subject to change without notice. For more information contact: FIRECOM, INC.