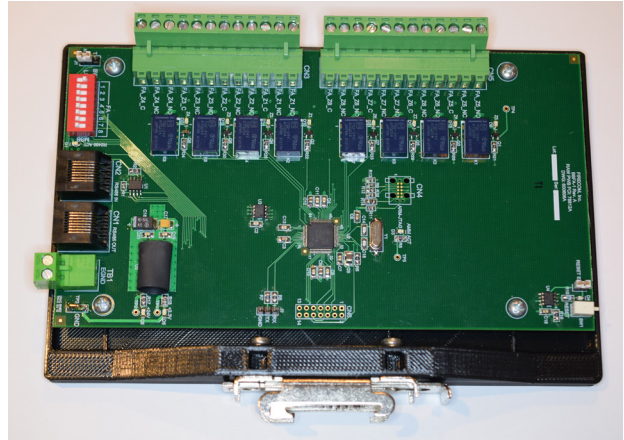


Features

- ▶ Microprocessor Controlled
- ▶ 8 Form-C Dry Relay Circuits
- ▶ Contact Rating: 0.5 A 30 V DC, 0.25 A 125 V AC
- ▶ Diagnostic LEDs indicate the state of each Relay
- ▶ Convenient DIN-Rail Mounting



Description

The BBR8C-1 Relay Module is an option card to the BBCPU-1 Central Processing Unit of a BDA Buddy Monitoring Cabinet. The BBR8C-1 provides up to 8 form-C dry relay outputs that can be used to indicate life safety radio status to a central station connected fire alarm control panel.

Application

The BBR8C-1 Fire Alarm Relay is used to describe the summarized status of the entire life safety radio installation to a central station connected fire alarm control panel or building automation and control equipment.

Approvals and Listings

Underwriters Laboratories (File No. PENDING)



Engineering Specifications

The BBR8C-1 is required to be installed within a NEMA-4/UL50E enclosure as an option card to the BBCPU-1. Communication between the BBR8C-1 and the BBCPU-1 shall occur upon a direct or "daisy-chained" link of short CAT-6 cable with RJ-45 connections on each end. The communication link between the BBR8C-1 and the BBCPU-1 shall be supervised for integrity.

The form-C dry relay outputs of the BBR8C-1 shall be configurable to indicate the following status conditions:

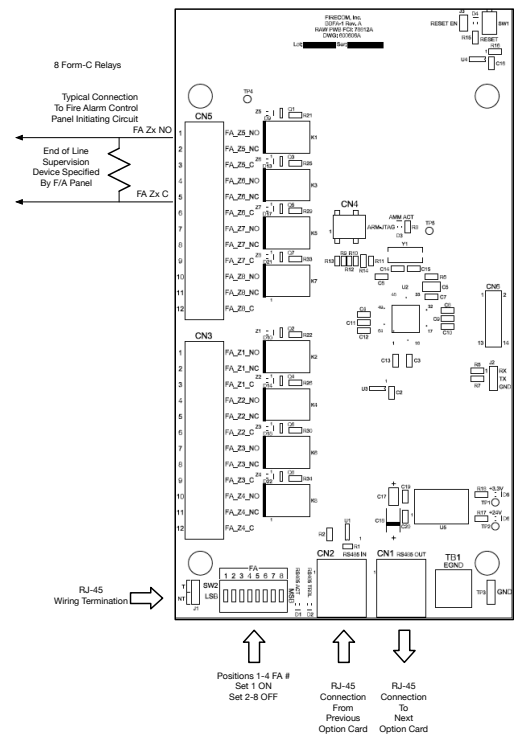
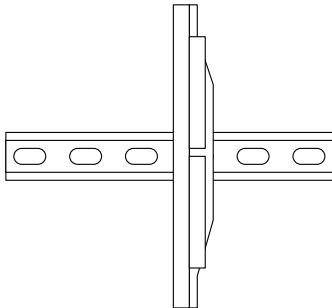
- System OK
- Bidirectional Amplifier Fail
- Donor Antenna Disconnect
- Donor Antenna Signal Reception Supervision
- Bidirectional Amplifier AC Fail
- Bidirectional Amplifier Low Battery Capacity
- Bidirectional Amplifier Charger Fail
- Distributed Antenna Trouble

When the BDA Buddy system is monitoring more than one bidirectional amplifier, all amplifier status items are combined by category, so that only one relay needs to be connected to the monitoring equipment.

Ground fault detection for these circuits are the responsibility of the Fire Alarm Control Panel.

Installation

The BBR8C-1 clips on to a standard DIN mounting rail, installed within a NEMA-4/UL-50E enclosure. The BBR8C-1 connects to the BBCPU-1 and other option cards using short CAT-6 cables with RJ-45 connectors on each end.



Electrical Specifications

Operating Voltage	24V
Battery Standby Current	80mA
Relay Contact Rating (Resistive)	0.5A @ 24V
Battery Alarm Current	80ma plus 10ma for each relay activated
Operating Temperature	0°C to 49°C
Operating Relative Humidity Range	0% to 93% @ 32°C

Ordering Information

Model No.	Part No.	Description
BBR8C-1	79185	8 Form C Relay Module

It is our intention to keep the product information up to date and accurate. We cannot cover all specific applications or anticipate all requirements. All specifications are subject to change without notice. For more information contact: FIRECOM, INC.

FIRECOM™, INC.

3927 59th Street
Woodside, NY 11377
718.899.6100 TEL
718.899.1932 FAX



WWW.FIRECOMINC.COM

78815
Rev 20201105
Pg 2 of 2