



RA-41



RA-41P

Features

- ▶ Microprocessor Controlled
- ▶ 40,000 Point Capacity
- ▶ Alarm, Trouble & Supervisory LEDs
- ▶ Remote System Reset Switch
- ▶ Remote Alarm Silence Switch
- ▶ Remote Acknowledge Switch
- ▶ Enable/Disable Key Switch
- ▶ Displays Last 5 Events
- ▶ Echelon® LonTalk® Communications
- ▶ Wide Viewing Angle Blue Fluorescent Display
- ▶ 80 Characters
- ▶ Low Power Consumption
- ▶ RA-41 occupies 1/2 Module Footprint

Description

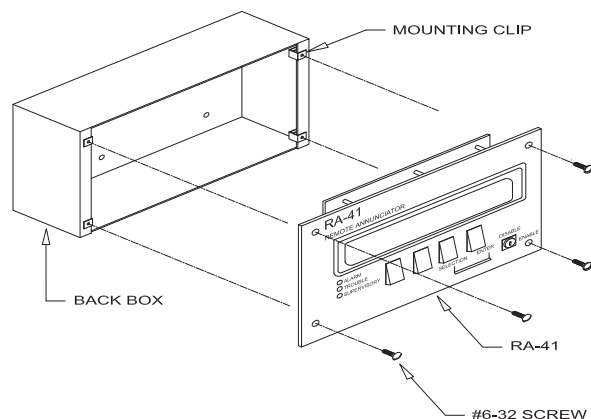
The RA-41/41P Remote Annunciator provides system status information in the LSN 2000 system. The RA-41/41P is a node on the network and can be configured to monitor and annunciate either a portion or the entire system. System status changes are annunciated by means of the 80 character (2x40 line) alphanumeric fluorescent display and an audible electronic piezo device. The RA-41/41P provides LEDs for Alarm, Trouble and Supervisory device status. The push button switches SYSTEM RESET, ALARM SILENCE, ACK/NEXT and PREV allow for resetting, silencing and acknowledging system events. As events are scrolled off the display the PREV switch can be used to recall those events. A Enable/Disable key switch is also provided to enable & disable the push button switches.

Approvals and Listings

Underwriters Laboratories (File No. S2184)
 NYC MEA (MEA No. 32-95-E)



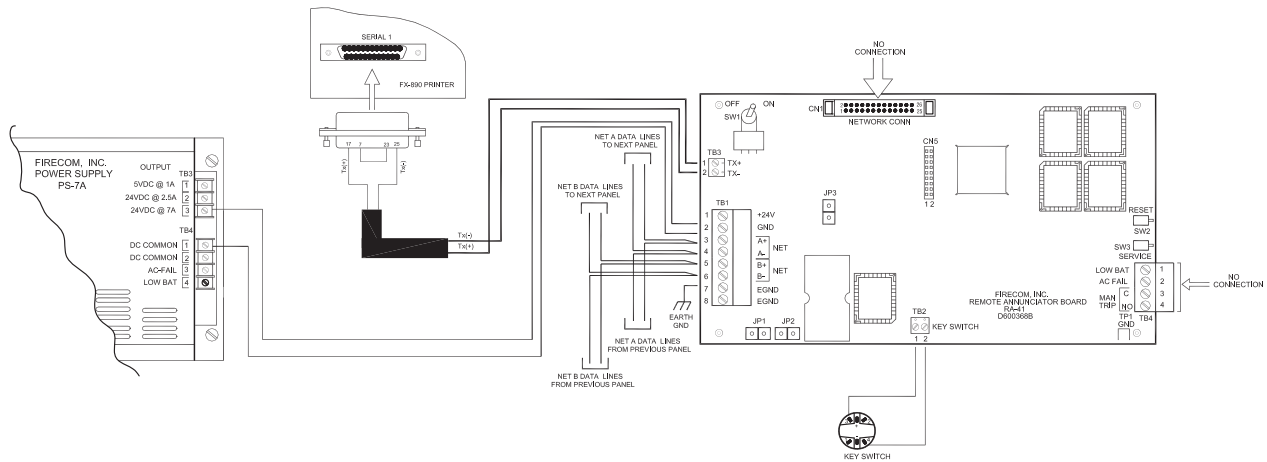
Installation



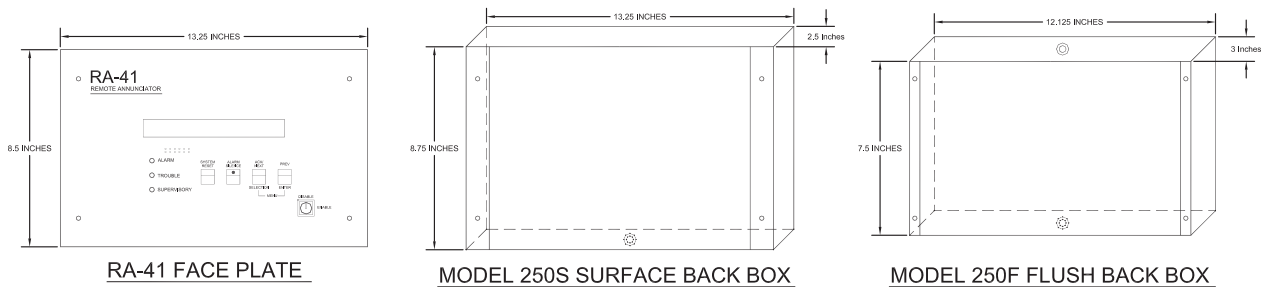
Engineering Specifications

The RA-41/41P Remote Annunciator shall provide status information on either a portion or the entire system. The Remote Annunciator shall contain a 80 character (2x40 line) alphanumeric fluorescent display with options to connect a remote printer. The RA-41/41P shall also provide system status LEDs for Alarm, Troubles and Supervisory devices within the system. Push button switches shall provide remote functions for System Reset, Alarm Silence and Acknowledge. All push button switches shall be capable of being disabled via a Enable/Disable key switch. The RA-41/41P shall mount to a back box or within a Fire Command Center enclosure.

Wiring Connection



Dimensions



Electrical Specifications

Operating Voltage	24VDC
Operating Current	125mA
Operating Temperature	0°C to 49°C
Operating Relative Humidity Range	0% to 93% @ 32° C
Battery Standby Current	125mA
Battery Alarm Current	125mA

Ordering Information

Model No.	Part No.	Description
RA-41	72157	Remote Annunciator
RA-41P	72177	Remote Annunciator Panel Mount
250S	250S	Surface Back Box
250F	250F	Flush Back Box

It is our intention to keep the product information up to date and accurate. We cannot cover all specific applications or anticipate all requirements. All specifications are subject to change without notice. For more information contact: FIRECOM, INC.

FIRECOM™, INC.
39-27 59th Street
Woodside, NY 11377
718.899.6100 TEL
718.899.1932 FAX



FIRECOMINC.COM

71921
Rev 111201
2 of 2