



WS-100-P WP



WS-100-P WP with Door Open

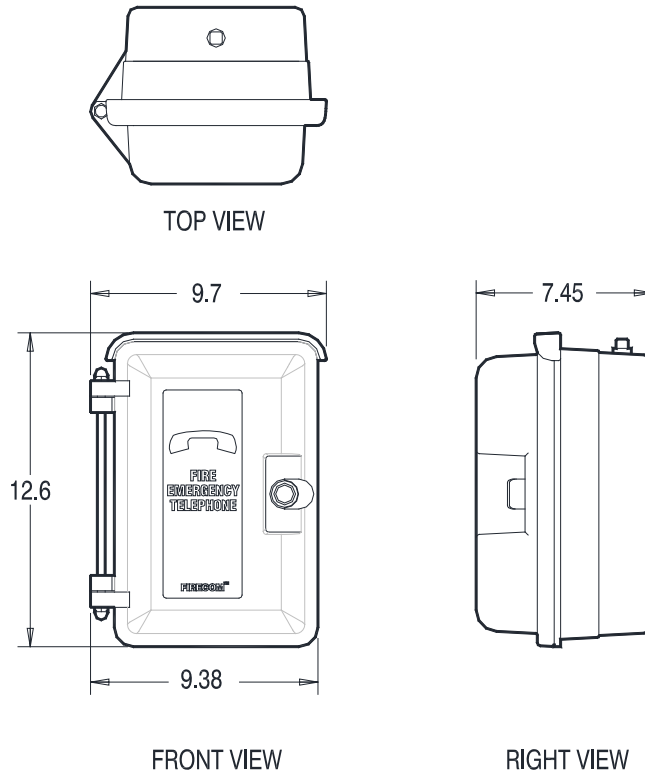
Features

- ▶ "In Use" Red LED
- ▶ Heavy Duty 319 Cast Aluminum Construction
- ▶ Drip Guard and Gasket Sealed Door
- ▶ Power Coated for Durability and UV Stability
- ▶ White "Pull to Call" switch
- ▶ Armored Cable Supplied

Description

The WS-100-P WP Firefighter's Telephone Station is designed for use with the Firecom Life Safety Net 2000 Communication Systems. The WS-100-P WP Firefighter's Telephone is constructed of cast aluminum and made for years of outdoor service. The heavy duty aluminum door has a gasket seal to keep out even the harshest weather. The WS-100-P WP is used to establish emergency verbal communication between a Firefighter's Telephone and the Fire Command Center (FCC). When electronically authorized by the FCC, the WS-100-P WP Firefighter's Telephone Station can also be connected to the floor public address system for emergency announcements. A "Pull to Call" switch and an "IN USE" LED talk indicator that lights when communication is established is incorporated. A red telephone handset with a stainless steel armored cable is included.

Dimensions



Electrical Specifications

Current Draw - Supervisory	0mA
Current Draw - Call In/Active	13mA
Operating Temperature	0°C to 49°C
Operating Relative Humidity Range	0% to 93% @ 32°C

Ordering Information

Model No.	Part No.	Description
WS-100-P WP	76669	Firefighter's Telephone Station Weatherproof

It is our intention to keep the product information up to date and accurate. We cannot cover all specific applications or anticipate all requirements. All specifications are subject to change without notice. For more information contact: FIRECOM, INC.